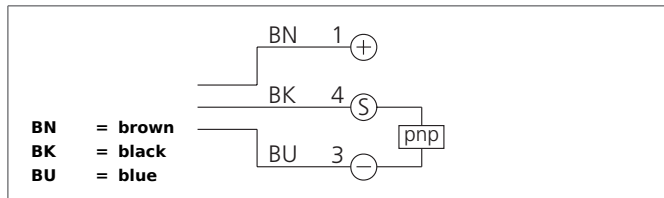


LRV 51 M 2000 P3K-IBS

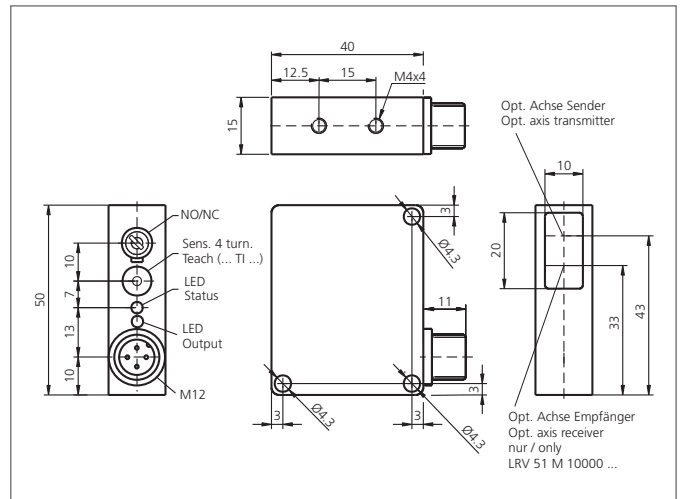
Laser Retroreflective Sensor

- Collimated red light laser
- Small laser spot and small reflector
- Polarized filter
- High operating frequency
- Robust metal casing
- 4-turn potentiometer
- Bright LED
- Light/dark switching
- Functional reserve indicator/contamination indicator



Safety instructions

Inproper use may result in hazardous radiation exposure. Pay attention to accident prevention rules and laser class. The instruments are not to be used for safety applications, in particular applications in which safety of persons depends on proper operation of the instruments. These instruments shall exclusively be used by qualified personnel.



TECHNICAL INFORMATION (typ.)		+20°C, 24V DC
Operating principle		Retroreflective sensor
Evaluation		digital
Size		50 x 40 x 15 mm (Dimensions)
Design		cuboid design
Emitted light		Red light laser, 650 nm, clocked
Laser class		1 (IEC 60825-1)
Operating distance		2.000 mm
Service voltage		10 ... 35 V DC
Internal power consumption		< 40 mA
Sensitivity adjustment		potentiometer
Referring reflector		RL 13 x 17 mm, RL 42x35 mm
Switching output		pnp, 200 mA, NO/NC, switchable
Voltage drop		< 2,8 V
Switching frequency		2.000 Hz
Response-/release time		< 2,5 ms / < 2,5 ms
Ambient temperature		0 ... +50 °C
Ambient light immunity		5 kLx
Insulation voltage endurance		500 V
Protection class		IP 67
Protection degree		III, operation on protective low voltage
Casing material		Die-cast zinc black lacquered finish
Material		polymethyl methacrylate (Window)
Connection		Connector, M12, 3-poled

LRV 51 M 2000 P3K-IBS
Laser Retroreflective Sensor



TECHNICAL INFORMATION (typ.)

+20°C, 24V DC

Connecting cable

VK ...